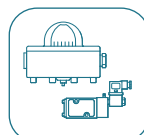
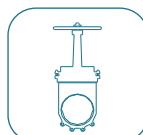
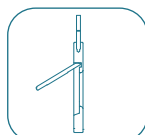
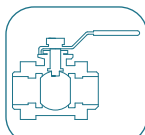
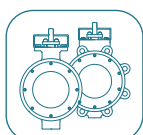
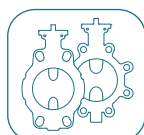


Manual Operation

Handle & Gear box



www.coreline.dk



General information

Manual operation solution

Coreline offers a complete range of manual operations for valves - including hand levers and gear boxes. There are varieties of materials for different requirements. By focusing on design and quality, Coreline will provide you the best solution for your manual operated valves.



Coreline

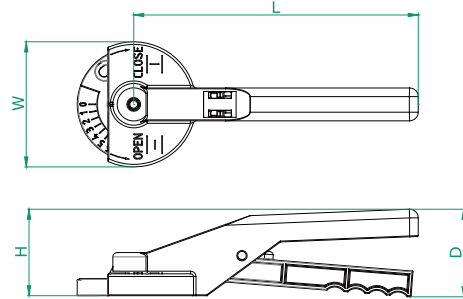
Index

page 3	Hand lever
page 4	Fig.520 Aluminum gear box
page 5	Fig.521 Cast iron, CF8M gear box
page 6	Fig.521 Cast iron gear box
page 7	Fig.522 Clutch gear box
page 8	Chain handwheel and gear box installation direction

Hand lever

Fig.500 Aluminium hand lever

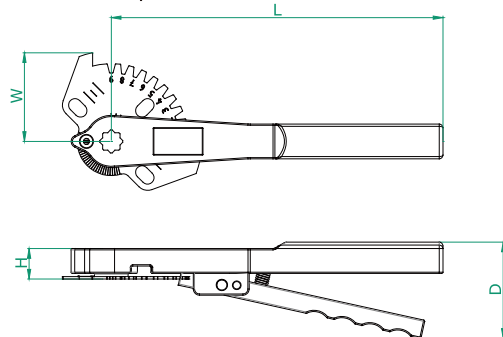
- Excellent design and comfortable operating 90° in 10 positions. The lever is fixed by screw on top of stem to avoid the lever getting loose by operation or vibrations. For safety, the hand lever can be locked in position by bolt/nut or a locker.
- Material is AL-Si alloy, which has better performance than Al-Mg and Al-Zn alloy.
- Electrophoresed surface treatment, which has stronger adhesion than traditional painting and much better resistance to corrosion.



Size	D	H	L	W	Stem drive	[kg]
DN25-DN80	56	65	195	74	F05 - 11×11	0.28
DN100-DN125	78	82	269	101	F07 - 14×14	0.63
DN150	78	82	269	101	F07 - 17×17	0.63
DN200-DN250	101	100	330	145	F10 - 22×22	1.46

Fig.503 GGG40 and CF8M hand lever

- GGG40 and CF8M hand lever have the same shape and share the same angle plate and locker.
- GGG40 hand lever has strong electrophoresed surface treatment. CF8M hand lever is with precise casting which has very smooth surface.
- Locker and plate in stainless steel SS316 and spring in SS321.
- Good design and comfortable operating 90° in 10 positions, but also adjustable screw to choose any position for regulation.
- The lever is fixed by screw on top of stem and not by side of stem, to avoid the lever getting loose by operation or vibrations. For safety, the hand lever can be locked in position by bolt/nut or a padlock.



Size	D	H	L	W	Stem drive	[kg]
DN25-DN80	53	23	195	60	F05 - 11×11	0.8
DN100-DN125	77	30	267	73	F07 - 14×14	1.2
DN150	77	30	267	73	F07 - 17×17	1.2

Fig.520 Aluminium gear box

- Used as manual operation for 90° rotary valves, like butterfly valves, ball valves, etc.
- Housing in Aluminium alloy with good design and appearance, light in weight.
- Easy operation and high transmission efficiency with high output torque.
- ISO5211 standard mounting flange, with double-square and key connection both available for requirement.
- Standard protection class IP65 (Can customize higher protection class).
- Locking device is available on request.

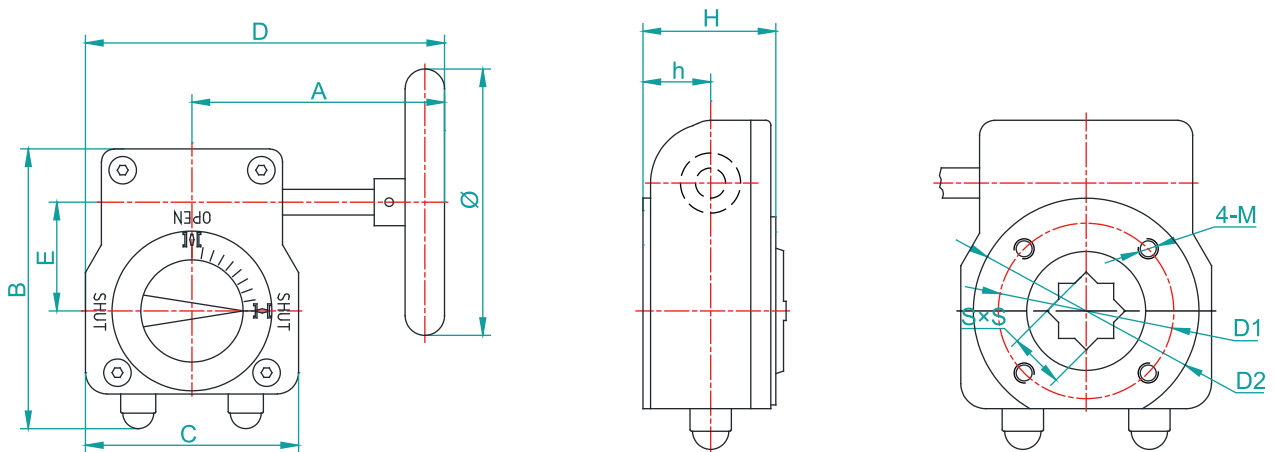
Specification

Housing: Aluminium alloy

Shaft: Carbon steel with electrophoretic surface treatment

Gear: Ductile iron

Coating: Standard C3. Optional C4, C5



Specification and dimension

Model	Output [N.m]	Ratio	Input [N.m]	A	B	C	D	E	h	H	Φ	WT [kg]
520-10	150	40 : 1	18.5	99	98	80	139	42.5	26	48	100	1.45
											120	
											150	
520-15	250	37 : 1	34	115	115	100	165	50	27	54	120	1.9
											200	
520-50	750	45 : 1	83	220	155	146	293	60	38	71	300	5.2
520-120	1200	40 : 1	150	323	191	175	410	80	40	80	400	9.2

Mounting dimensions

Model	S×S	D2	D1	n-M
520-10	9×9	80	50	4-M6
	11×11		70	
	14×14			
520-15	9×9	89	70	4-M8
	11×11			
	14×14			
520-50	17×17	140	102	4-M10
	22×22			
	27×27			
520-120	22×22	175	140	4-M16
	27×27			

Fig.521 Cast iron, CF8M gear box

- Used as manual operation for 90° rotary valves, like butterfly valves, ball valves, etc.
- Housing material is available with cast iron or CF8M.
- Easy operation and high transmission efficiency with high output torque.
- ISO5211 standard mounting flange, with double-square and key connection both available for requirement.
- Standard protection class IP65 (Can customize higher protection class).
- Locking device is available on request.

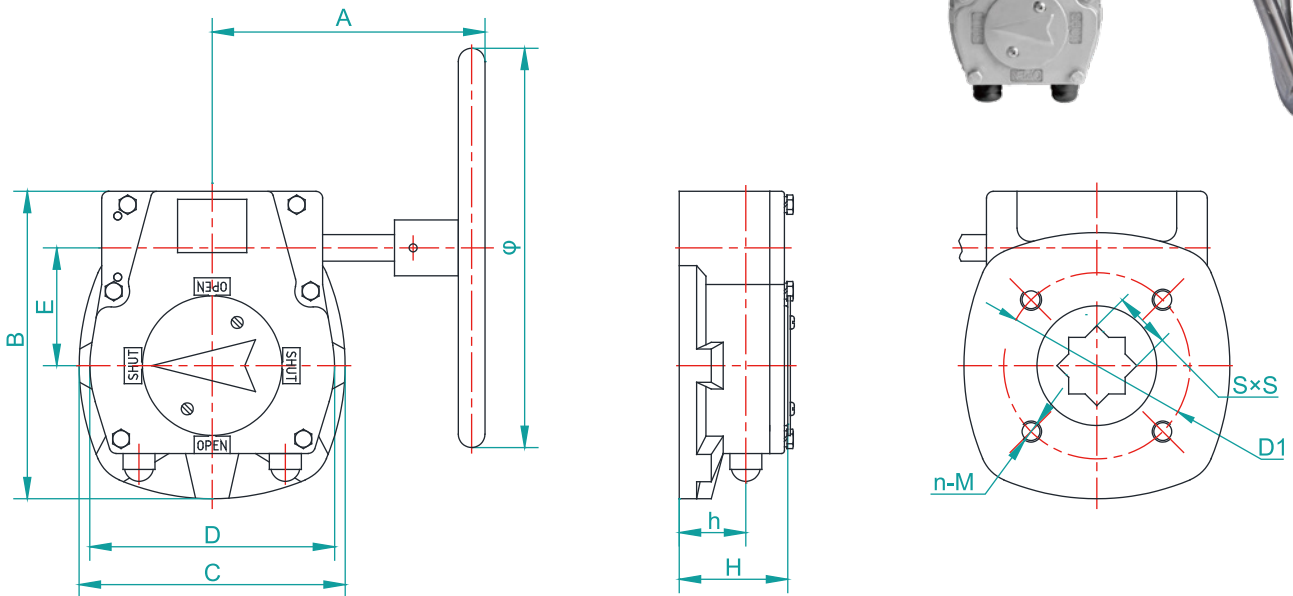
Specification

Housing: Cast iron, CF8M

Shaft: SS410, SS304, SS316

Gear: Ductile iron, Alu-bronze

Coating: Standard C3 and optional C4,C5 for CI gear box, original SS color



Specification and dimension

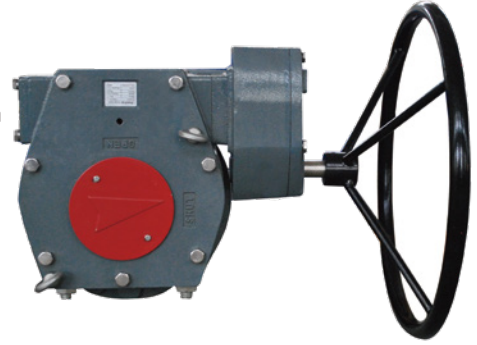
Model	Output [Nm]	Ratio	Input [Nm]	A	B	C	D	E	h	H	Φ	WT [kg]
521-M07	200	40 : 1	19	151	111	92	84	39	31	55	140	3.1
521-M10	500	42 : 1	45	214	145	118	107	53	35	61	260	6.2
521-M12	1000	42 : 1	90	210	182	165	138	66	42	72	300	11
521-M14	1800	60 : 1	110	277	231	200	184	89	50	81	300	14
											400	
521-M14A	2500	70 : 1	130	287	252	216	210	101	50	81	400	21
521-M15	3400	68 : 1	165	357	296	252	248	123	50	91	400	32
521-M16	4400	88 : 1	169	382	354	315	313	153	50	93	500	44

Mounting dimensions

Model	SxS	D1	n-M	Allowable flange
521-M07	14x14	70	4-M8	F05, F07
521-M10	22x22	102	4-M10	F07, F10
521-M12	27x27	125	4-M12	F10, F12, F14
521-M14	27x27	140	4-M16	F12, F14, F16
521-M14A	36x36	140	4-M16	F14, F16
521-M15	36x36	165	4-M20	F14, F16
	46x46			
521-M16	46x46	254	8-M16	F16, F25

Fig.521 Cast iron gear box

- Used as manual operation for 90° rotary valves like butterfly valves, etc.
- Housing in cast iron with good design and appearance.
- Easy operation and high transmission efficiency with high output torque.
- ISO5211 standard mounting flange, with double-square and key connection both available for requirement.
- Standard protection class IP65 (Can customize higher protection class).
- Locking device is available on request.



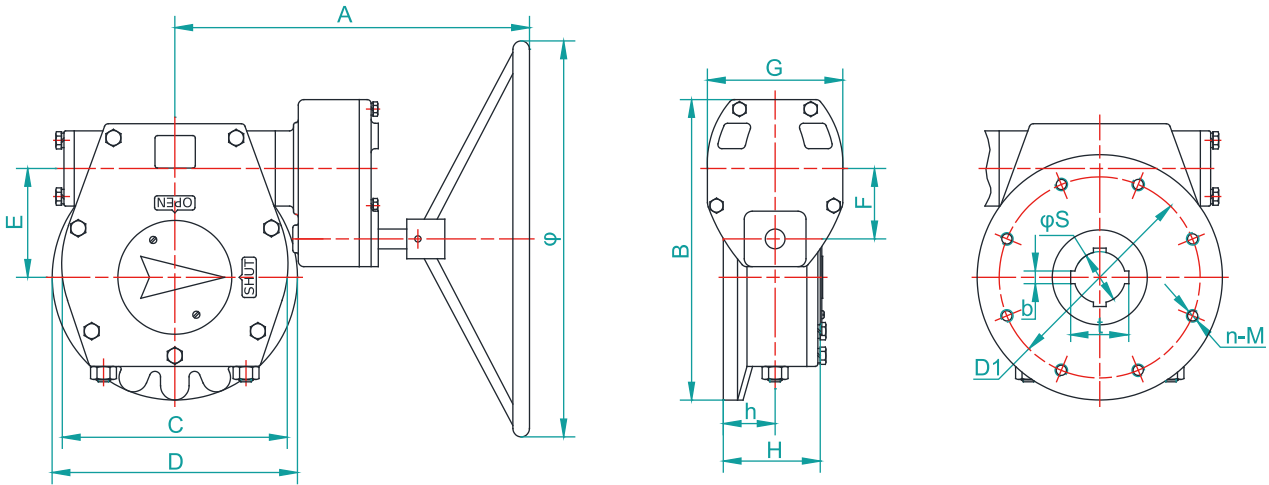
Specification

Housing: Cast iron

Shaft: SS410. SS304/SS316 as option

Gear: Ductile iron

Coating: Standard C3. Available for C4, C5



Specification and dimension

Mode	Output [Nm]	Ratio	Input [Nm]	A	B	C	D	E	F	G	h	H	φ	WT [kg]
521-M16B	4400	170:1	130	403	310	250	210	124	83	162	57	113	500	44
521-M36	8000	210 : 1	180	448	380	286	310	138	89	171	73	130	500	66
521-M50S	11000	250 : 1	180	480	446	355	355	181	89	171	80	160	500	109
521-M50	16000	612 : 1	190	555	440	355	355	181	151	152	80	160	600	122
521-M60	24000	720 : 1	220	616	528	463	415	237	151	152	82	165	700	188
521-M65	35000	882 : 1	230	648	572	558	415	282	151	152	84	172	700	255
521-M70	50000	1242 : 1	200	686	657	610	475	309	192	193	107	225	700	310
521-M75	70000	1430 : 1	240	706	697	692	475	349	192	193	110	231	700	440
521-M80	100000	1805 : 1	350	821	826	760	560	391	264	266	130	270	800	700
521-M90	160000	2430 : 1	320	909	1003	968	686	491	298	338	138	300	800	1100

Mounting dimensions

Mode	S	b	t	D1	n-M	Max stem-hole dia.	Allowable flange
521-M16B	55	16	63.6	165	4-M20	75	F14, F16
521-M36	65	16	73.6	254	8-M16	85	F16, F25
521-M50S	75	20	84.8	254	8-M16	110	F25, F30
521-M50	85	22	95.8	254	8-M16	110	F25, F30
521-M60	120	32	134.8	298	8-M20	160	F30, F35
521-M65	120	32	134.8	356	8-M30	160	F30, F35
521-M70	120	32	134.8	356	8-M30	160	F30, F35, F40
521-M75	150	36	166.8	406	8-M36	180	F35, F40
521-M80	150	36	166.8	406	8-M36	185	F35, F40, F48
521-M90	180	45	200.8	483	12-M36	240	F48, F60

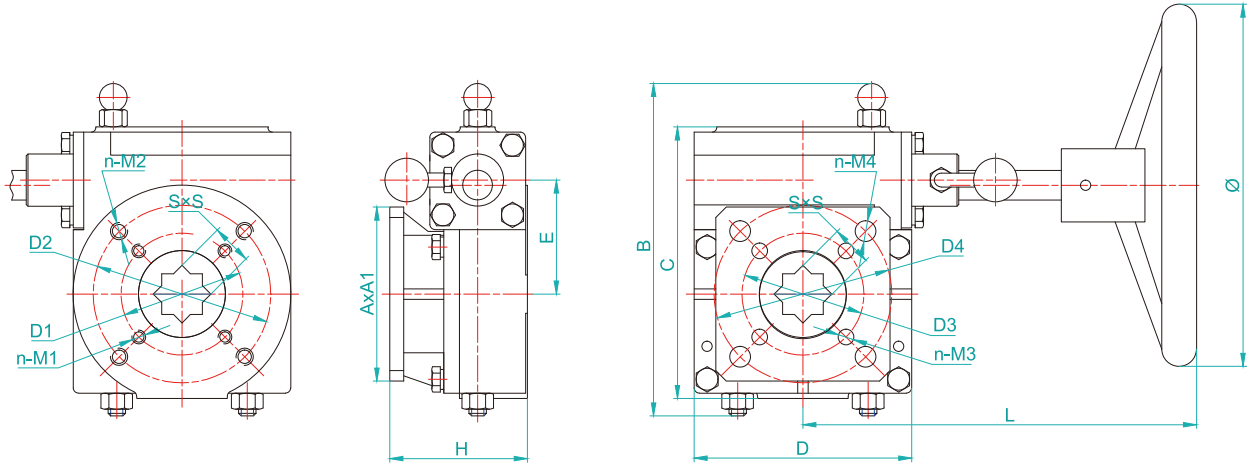
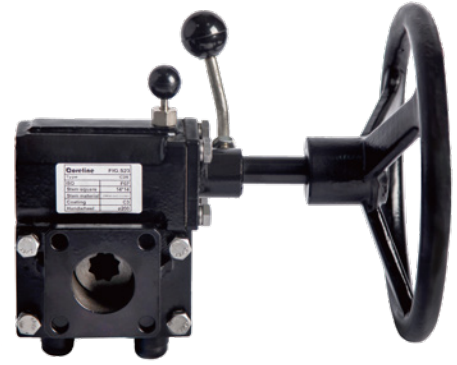
* S, b, t can be machined according to requirements.

The shaft driving hole can also be machined to be square or double-D, specify details before order.

Fig.522 Clutch gear box

Fig.522 Clutch gear box

- Used as manual operation between valve and actuator for 90° rotary valves, like butterfly valves, ball valves, etc.
- Offer manual operation solution for pneumatic valves.
- Easy operation and high transmission efficiency with high output torque.
- ISO5211 standard mounting flange, with double-square and key connection both available for requirement.
- Standard protection class IP65 (Can customize higher protection class).



Specification and dimension

Model	Output [Nm]	Ratio	Input [Nm]	Φ ⁽¹⁾ [mm]	H	L	B	C	D	E	WT [kg]
522-C26	300	26 : 1	60	200	82	182	166	130	104	50.5	6.7
522-C38	550	38 : 1	60	200	79	221	191	156	125	65.5	13
	620		75	250	82	225	191	156	125	65.5	
	700		90	300	88	225	191	156	125	65.5	
522-C54	1000	54 : 1	100	250	86	233	234	200	175	85.5	20
	1200		120	300	95	233	234	200	175	85.5	
522-C80	1600	80 : 1	110	300	114	271	305	279	234	123	27
	2000		140	400	114	277	305	279	234	123	
522-C78	3100	78 : 1	200	600	120	367	363	322	276	141.6	37
522-C320	7000	320 : 1	120	500	244	464	435	386	300	156.5	105

(1) Hand wheel dimension “Φ” can be changed in certain circumstance.

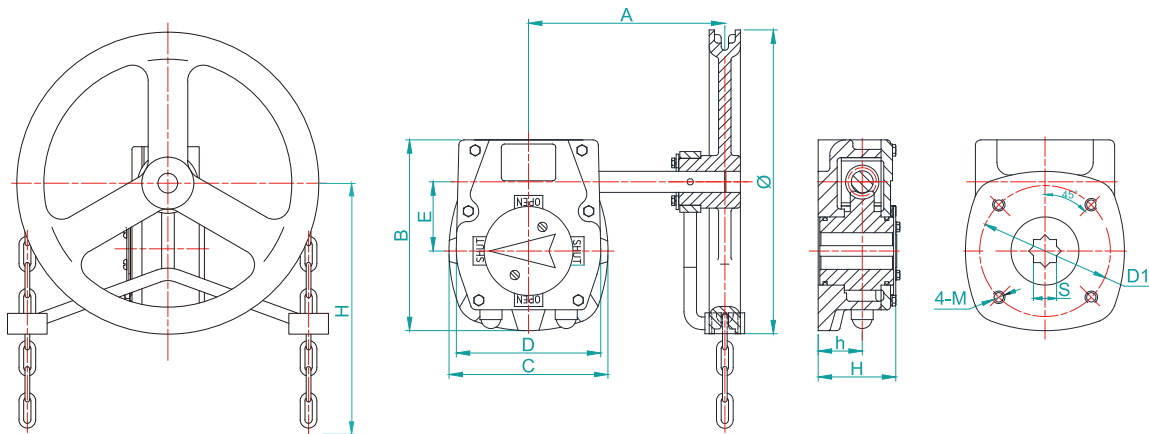
Mounting dimensions

Model	SxS	D1	n-M1	D2	n-M2	AxA1	D3	n-M3	D4	n-M4
522-C26	14x14	70	4-M8			64*64	70	4-Φ9		
	17x17	70	4-M8			64*64	70	4-Φ9		
522-C38	17x17	70	4-M8			100*70	70	4-Φ9		
	22x22	70	4-M8	102	4-M10	100*100	70	4-Φ9	102	4-Φ12
	27x27			102	4-M10	110*110			125	4-Φ14
	36x36			102	4-M10	130*130			140	4-Φ18
522-C54	27x27	102	4-M10	125	4-M12	110*110	102	4-Φ12		
	27x27	102	4-M10	125	4-M12	110*110			125	4-Φ14
	36x36	102	4-M10	140	4-M16	130*130			140	4-Φ18
	46x46			140	4-M16	156*156			165	4-Φ22
522-C80	36x36	140	4-M16			135*156	140	4-Φ18		
	46x46	165	4-M20			156*156	165	4-Φ22		
522-C78	36x36	140	4-M16			135*156	140	4-Φ18		
	46x46	165	4-M20			156*156	165	4-Φ22		
522-C320		254	8-M16			300	254	8-Φ18		

Chain handwheel

Chain handwheel to Fig.520, 521

- Used as manual operation for 90° rotary valves, like butterfly valves, ball valves, etc.
- Chain on handwheel for special working conditions.
- Housing in Aluminium alloy with good design and appearance, light in weight.
- Easy operation and high transmission efficiency with high output torque.
- ISO5211 standard mounting flange, with double-square and key connection both available for requirement.
- Standard protection class IP65 (Can customize higher protection class).



Specification and dimension

Model	Output [Nm]	Ratio	Input [Nm]	A	B	C	D	E	h	H	Φ	D1	4-M	S
520-15	170	24 : 1	30	132	115	-	100	45	27	48	200	70	4-M8	11,14,17
521-M10	500	42 : 1	45	215	145	118	107	53	35	61	200	102	4-M10	22
521-M12	1000	42 : 1	90	203	182	165	138	66	42	72	290	125	4-M12	27
521-M14	1800	60 : 1	110	203	231	200	184	89	50	81	410	140	4-M16	27
521-M14A	2500	70 : 1	130	213	252	216	210	101	50	81	410	140	4-M16	36
521-M15	3400	68 : 1	165	268	296	252	248	123	50	91	410	140	4-M16	36
521-M16	4400	88 : 1	169	293	354	315	313	153	50	93	410	165	4-M20	46

Remark: Please specify the dimension "H" or inform us the total length of the chain for inquiry.

Coreline

The contents of this catalogue are confidential and proprietary to Coreline, we reserve the right to change the specifications without any notice.

CORELINE LTD.

Add: No.4 Wangjiang Road, Muqiao Town, Zhengpugang New District, 238200 Hexian, Ma'anshan City, Anhui Province, China

Http: // www.coreline.dk

E-mail : mail@coreline.cn