

Fig.570 Solenoid valve

Features

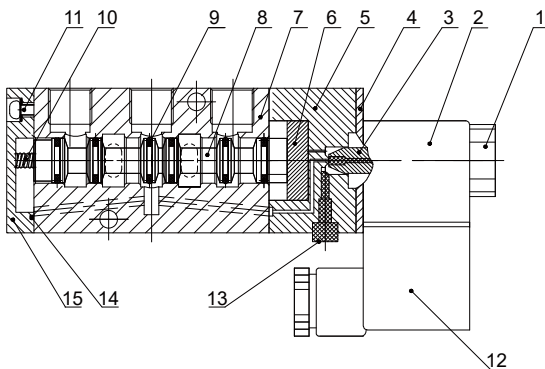
- Robust industrial 5/2 and 3/2 way solenoid valve.
- Low power consumption and long service life.
- NAMUR standard for direct mounting on actuators.
- Low temperature construction.
- Manual operation for use in testing or when lack of supply voltage.
- The spring affected piston ensures that the solenoid valve returns to its starting point at power failure.
- 100% quality control. Each solenoid valve is function tested and pressure tested.
- CE approved.



Specifications

Item	Specification
Construction	5/2 , 3/2 way
Air consumption	1100 L/min at 5 bar
Flow rate	Kv = 0,95 m³/h
Pressure single coil	2 bar to 8 bar
Coils	24VDC, 24VAC, 230VAC. Optional: 110V
Voltage indication	LED (Light emitting diode)
Current consumption	24VDC - 3W, 24VAC - 3.5VA, 230VAC - 3.5VA
Temperature	-25°C to +80°C
Connection	NAMUR, 1/4" inlet/outlet. Optional: NAMUR, 1/2" inlet/outlet
Medium	Clean air
Air quality	DIN/ISO 8573-1 Class3
Protection class	IP65
Surface	Hard anodized - 20µ

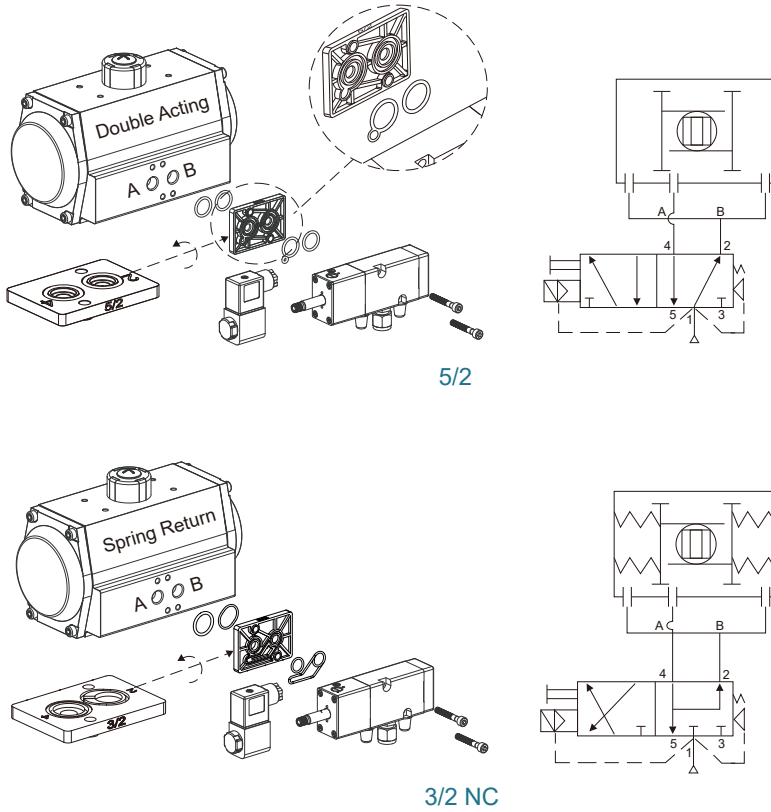
Material part list



No.	Part name	Material	No.	Part name	Material
1	Nut	PA66	9	O-ring	NBR
2	Coil	-	10	Spring	SS304
3	Armature	-	11	Bolt	SS304
4	Plate	SS304	12	Connector	PA66
5	Pilot body	Aluminum ADC12	13	Manual rod	PA66
6	Gasket	Aluminum	14	Seal	NBR
7	Body	Aluminum ADC12	15	Bottom cover	Aluminum ADC12
8	Core	Aluminum			

Fig.570 Solenoid valve

Standard solenoid valve - Installation on standard actuator

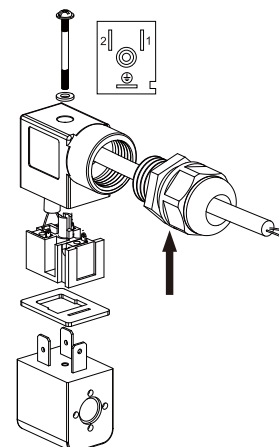


NAMUR interface plate

As for Fig.570 solenoid valve, the same valve equipped with 3/2 and 5/2 function NAMUR interface plates can be adapted for 3/2 NC or 5/2 functions to control double acting and spring return pneumatic actuators.



Wiring connection



Coreline

The contents of this catalogue are confidential and proprietary to Coreline, we reserve the right to change the specifications without any notice.

CORELINE VALVE CO., LTD.

Add: No.210 Xinyuan Road, Ehu Industrial Park, 214116 Wuxi, China

Phone: +86 510 8852 5336

Http: // www.coreline.dk

E-mail : mail@coreline.cn