

Coreline

Bracket system, with 3 functions



Fig.515

English



www.coreline.dk

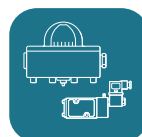
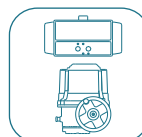
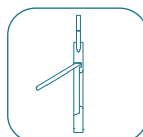
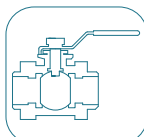
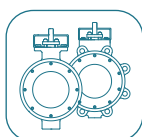
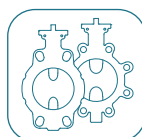


Fig.515 Basic bracket module for stem extension and isolation

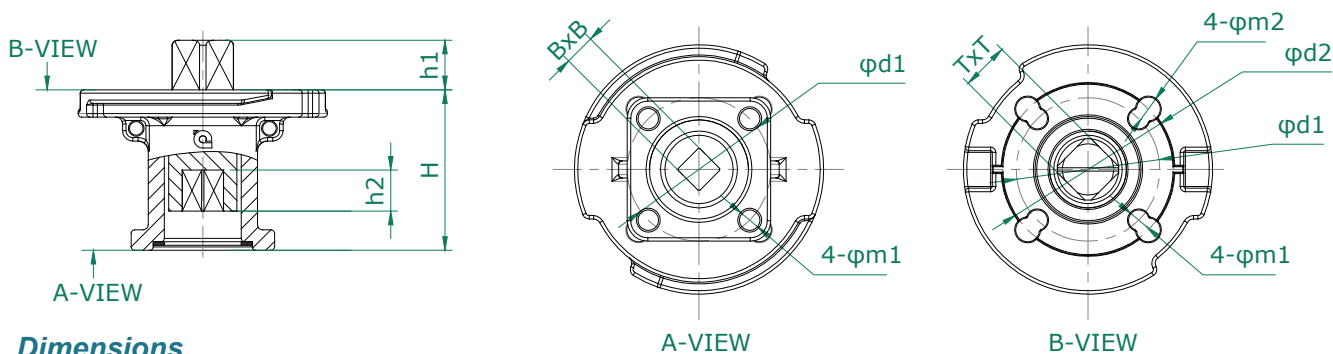
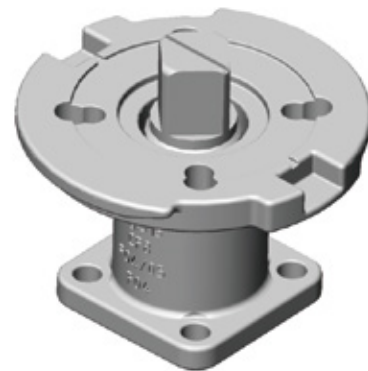
Specifications

A closed smooth stainless steel bracket in smart design, easy to install between actuators and ball valves.

Machined on the bottom flange to ensure perfect tolerances and assembly to ISO5211 mounting flange, which keep the bracket and valve in centerline.

A PTFE gasket is used to avoid leaks between the bracket and ball valve.

Our coupling are milled in the bottom square for higher strength and centric position, when valve are mounted in both horizontal and vertical position.



Dimensions

Bracket	Fig.130	B	T	H	h1	h2	d1	d2	m1	m2
F03 - F03+F04	8F-10F	7	9	42	10	8	36	42	6	6
F03 - F03+F04	15F-20F	7	11	42	12	10	36	42	6	6
F04 - F04+F05	25F-32F	9	14	47	16	12	42	50	6	7
F05 - F05+F07	40F	11	14	70	16	15	50	70	7	9
F05 - F05+F07	50F	11	14	70	16	15	50	70	7	9

Bracket	Fig.131	B	T	H	h1	h2	d1	d2	m1	m2
F04 - F04+F05	8F-15F	9	9	47	10	12	42	50	6	7
F04 - F04+F05	20F	9	11	47	12	12	42	50	6	7
F05 - F05+F07	25F-32F	11	14	70	16	15	50	70	7	9
F07 - F07+F10	40F-50F	14	14	87	16	17	70	102	9	11
F07 - F07+F10	65F-100F	17	17	87	18	21	70	102	9	11

Sizing - 6bar air supply

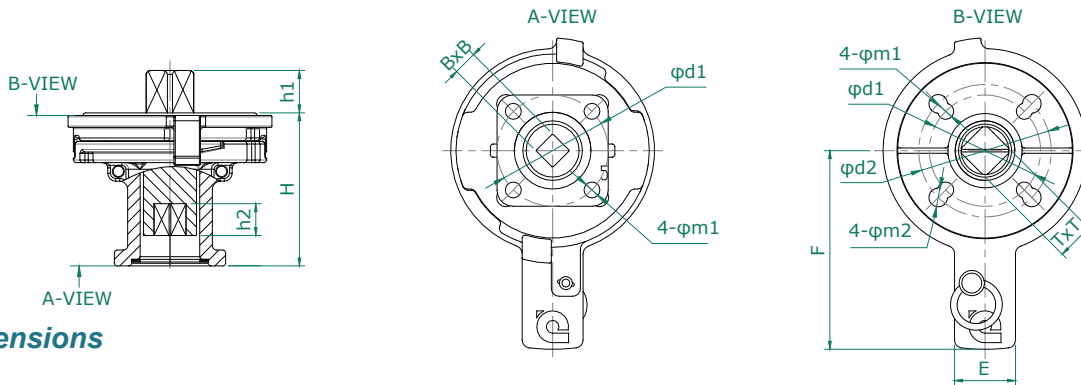
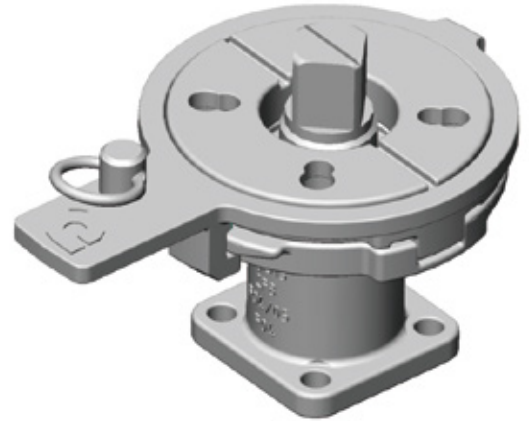
Valve type	Valve DN	Sizing - Air supply 6bar	
		Double acting	Spring return
Fig.130,131	8F	40	40
	10F/15R	40	40
	15F/20R	40	50
	20F/25R	50	65
	25F/32R	65	75
	32F/40R	65	75
	40F/50R	75	85
Fig.131	50F/65R	75	95
	65F/80R	85	110
	80F/100R	95	125
	100F	110	125

Fig.515 Bracket system for quick assembly and disassembly

Specifications

Quick mounting bracket between ball valve and actuator, consisting of 3 parts.

Patented design, simple and easy to use. The upper and lower brackets can be very quickly assembled and disassembled without using toolings. The surface interface between the two brackets are machined to have perfect interface between each other, and to ensure continuously staple unit.



Dimensions

Bracket	Fig.130	B	T	H	h1	h2	d1	d2	m1	m2	E	F
F03 - F03+F04	8F-10F	7	9	50	10	8	36	42	6	6	20	71
F03 - F03+F04	15F-20F	7	11	50	12	10	36	42	6	6	20	71
F04 - F04+F05	25F-32F	9	14	58	16	12	42	50	6	7	23	75
F05 - F05+F07	40F	11	14	83	16	15	50	70	7	9	29	100
F05 - F05+F07	50F	11	14	83	16	15	50	70	7	9	29	100

Bracket	Fig.131	B	T	H	h1	h2	d1	d2	m1	m2	E	F
F04 - F04+F05	8F-15F	9	9	58	10	12	42	50	6	7	23	75
F04 - F04+F05	20F	9	11	58	12	12	42	50	6	7	23	75
F05 - F05+F07	25F-32F	11	14	83	16	15	50	70	7	9	29	100
F07 - F07+F10	40F-50F	14	14	103	16	17	70	102	9	11	37	125
F07 - F07+F10	65F-100F	17	17	103	18	21	70	102	9	11	37	125

Sizing - 6bar air supply

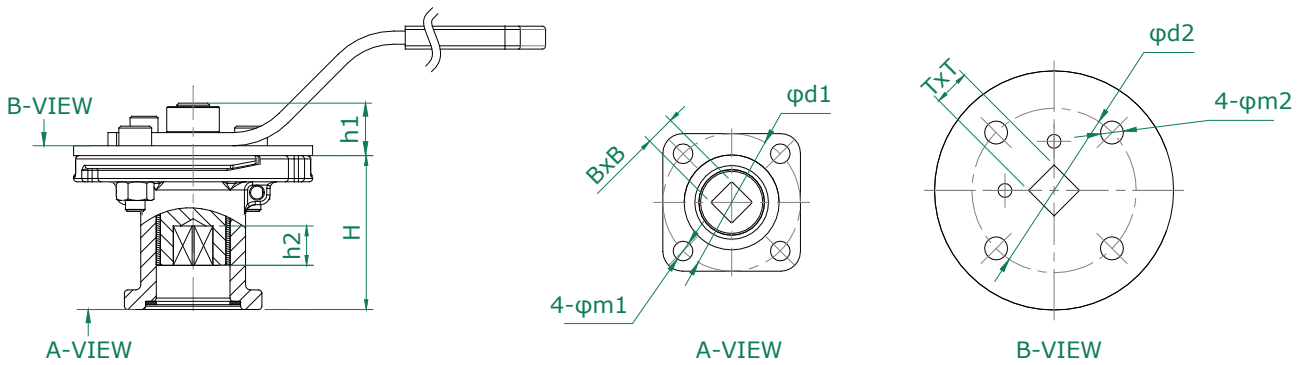
Valve type	Valve DN	Sizing - Air supply pressure 6bar	
		Double acting	Spring return
Fig.130,131	8F	40	40
	10F/15R	40	40
	15F/20R	40	50
	20F/25R	50	65
	25F/32R	65	75
	32F/40R	65	75
	40F/50R	75	85
Fig.131	50F/65R	75	95
	65F/80R	85	110
	80F/100R	95	125
	100F	110	125

Fig.515 Bracket with stem extension and hand lever

Specifications

The basic unit can be delivered with hand lever as well.

The basic unit will be including a bushing in the top of the unit to support the coupling and there will be position plate included.



Dimensions

Bracket	Fig.130	B	T	H	h1	h2	d1	d2	m1	m2
F03 - F03+F04	8F-10F	7	9 (M12)	42	13	8	36	42	6	6
F03 - F03+F04	15F-20F	7	9 (M12)	42	13	10	36	42	6	6
F04 - F04+F05	25F-32F	9	11(M14)	47	16	12	42	50	6	7
F05 - F05+F07	40F	11	14(M18)	70	17	15	50	70	7	9
F05 - F05+F07	50F	11	14(M18)	70	17	15	50	70	7	9

Bracket	Fig.131	B	T	H	h1	h2	d1	d2	m1	m2
F04 - F04+F05	8F-20F	9	11(M14)	47	15	12	42	50	6	7
F05 - F05+F07	25F-32F	11	14(M18)	70	17	15	50	70	7	9
F07 - F07+F10	40F-50F	14	14(M18)	87	18	17	70	102	9	11
F07 - F07+F10	65F-100F	17	17	87	18	21	70	102	9	11

Coreline

The contents of this catalogue are confidential and proprietary to Coreline, we reserve the right to change the specifications without any notice.

CORELINE VALVE CO., LTD.

Add: No.210 Xinyuan Road, Ehu Industrial Park, 214116 Wuxi, China

Phone: +86 510 8852 5336

Http: // www.coreline.dk

E-mail : mail@coreline.cn