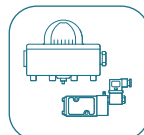
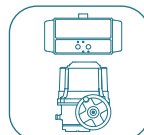
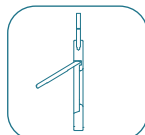
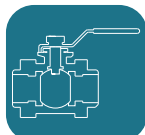
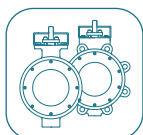
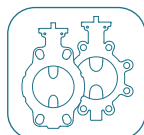


3-way thread ends ball valve

Fig.161



www.coreline.dk



General information, dimensions

Features

- **4 seats design** which allows input flow in all ends without the occurrence of bypass (leakage) behind the ball.
- **Traceability:** heat numbers on main parts of each valve. Material certificate EN10204-3.1 can be delivered on request.
- **ISO 5211 top flange** with square stem for direct mounting of actuator without using bracket or coupling.
- CE, ATEX, SIL approved.

General specification

Connection: Thread ends BSPP (standard)
Other threads available on request.

Port: L port, T port

Size range: 1/2" - 2"

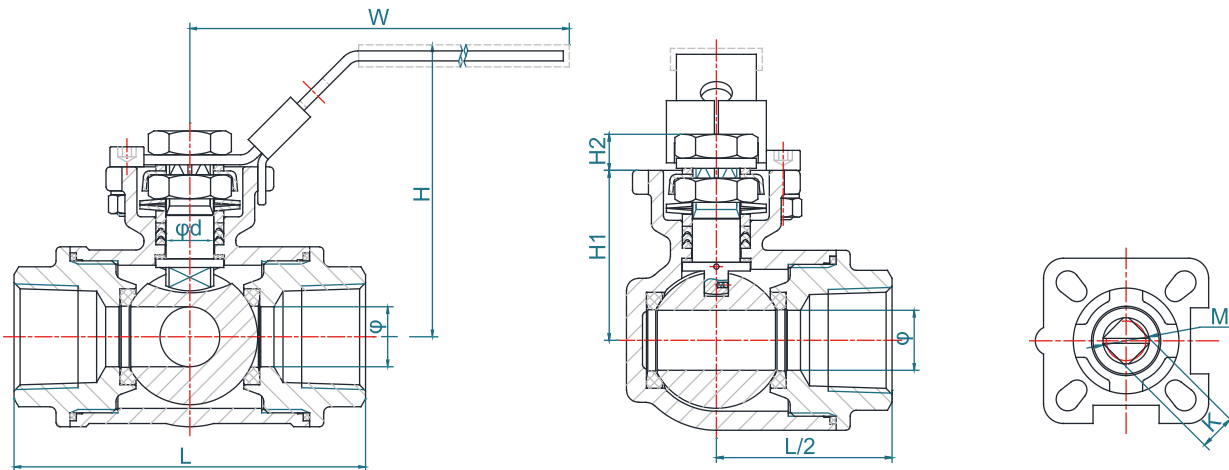
Pressure rating: 1000psi

Top flange: ISO5211



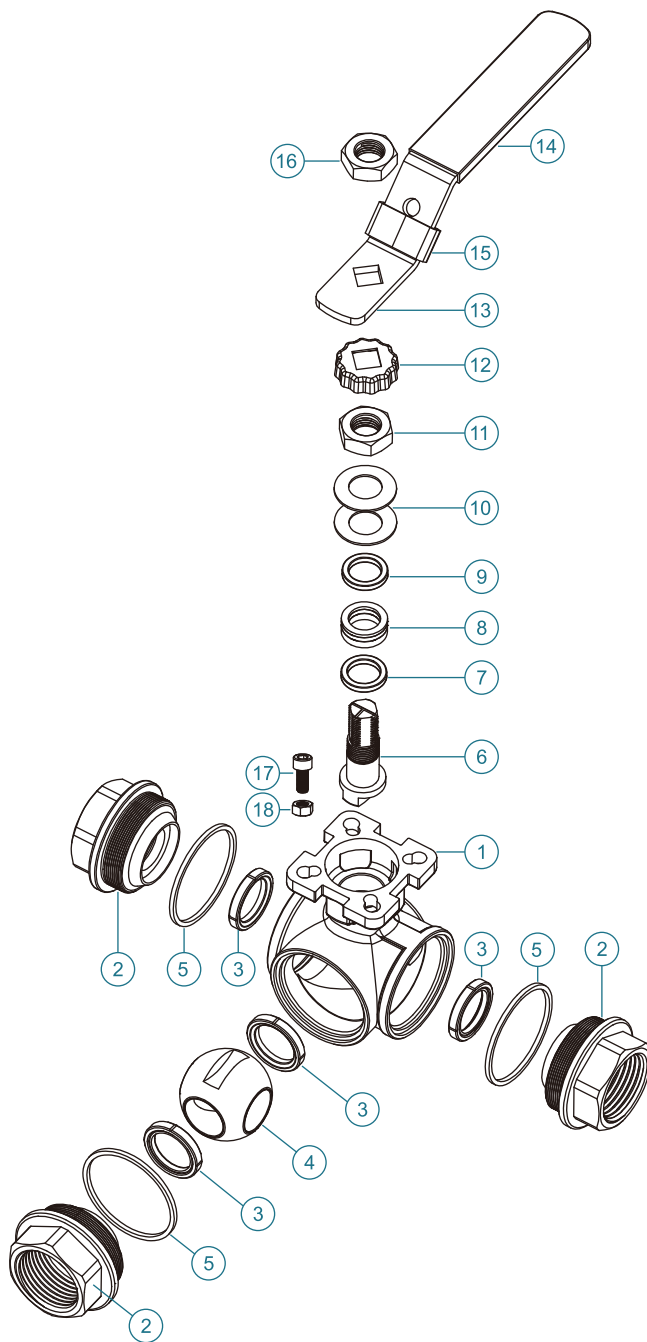
ATEX, CE, SIL and EU1935/2004 (European food approval) for Coreline ball valves.

Dimensions



SIZE		φ	H	L	d	H1	H2	W	ISO5211	K	M
INCH	DN										
1/2"	15	12	77	72	12	43	10	120	F03+F04	9	M12
3/4"	20	15	80	80	12	46	10	140	F03+F04	9	M12
1"	25	20	92	100	14	57	12	150	F04+F05	11	M14
1 1/4"	32	25	99	115	14	64	12	165	F04+F05	11	M14
1 1/2"	40	32	110	128	18	75	15	190	F05+F07	14	M18
2"	50	38	115	148	18	78	15	220	F05+F07	14	M18

Material part list



NO.	Part Name	Material	NO.	Part Name	Material
1	Body	A351 CF8M	10	Belleville washer	SS301
2	Cap	A351 CF8M	11	Stem nut	SS304
3	Seat	PTFE	12	Stop lock cap	SS304
4	Ball	SS316	13	Handle	SS304
5	Body gasket	PTFE	14	Handle sleeve	Vinyl
6	Stem	SS316	15	Handle lock	SS304
7	Stem sealing	PTFE	16	Handle lock nut	SS304
8	V-packing	PTFE	17	Stop bolt	SS304
9	Packing gland	SS304	18	Nut	SS304

* Other seat materials are available on request.

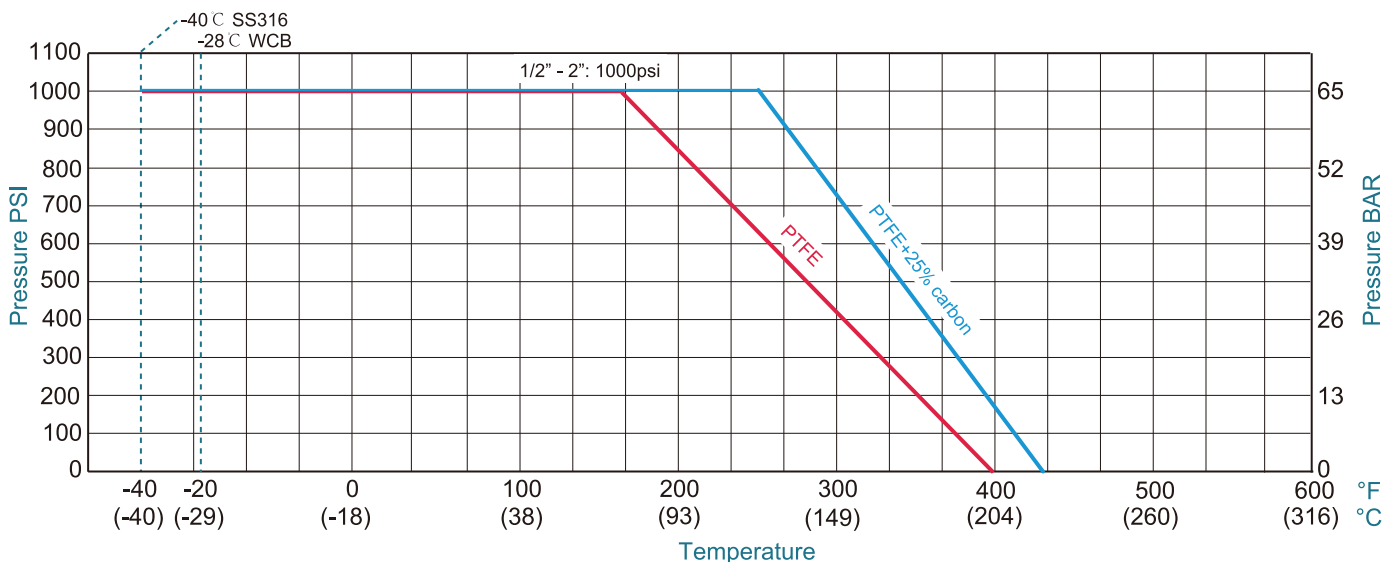
Technical data, flow patterns

Technical data

SIZE		Torque ¹⁾ [Nm]	Kv ²⁾ [m³/h]		
INCH	DN		T port (Straight)	L port (Branch)	L port
1/2"	15	8.4	8	6	7
3/4"	20	10.8	11	7	9
1"	25	13.2	20	13	15
1 1/4"	32	24	28	18	26
1 1/2"	40	33.6	46	35	40
2"	50	42	70	45	58

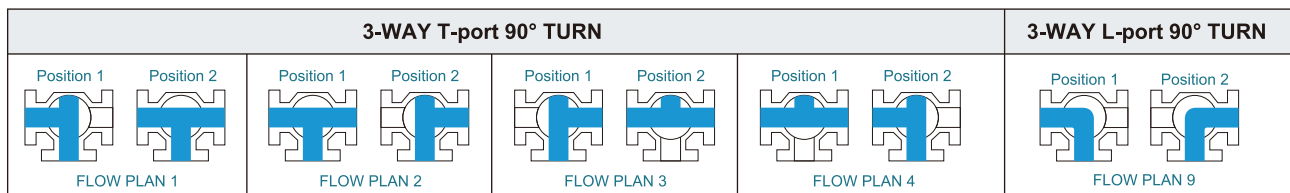
- 1) Torque value is based on PTFE seat without safety factor (Test: 0bar differential pressure, ambient temperature, non-lubricating). Please consider a safety factor of 1.5 when sizing actuators.
 2) Kv-value rated flow coefficients (m³/h at 1 bar ΔP).

Pressure temperature curve



* Standard seat material: PTFE. Other materials are available on request.

Flow patterns



OBS: Please specify the **FLOW PLAN** and **Start/End Position** before the order.

Coreline

CORELINE LTD.

Add: No.4 Wangjiang Road, Muqiao Town, Zhengpugang New District, 238200 Hexian, Ma'anshan City, Anhui Province, China

The contents of this catalogue are confidential and proprietary to Coreline, we reserve the right to change the specifications without any notice.

Http: // www.coreline.dk

E-mail : mail@coreline.cn