

Position switch box



Fig.561 : Standard type

English

Fig.561M: Multi-function type



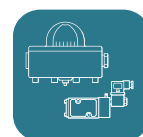
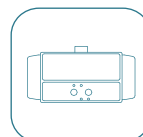
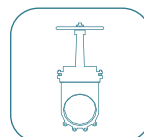
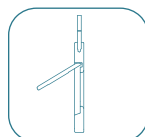
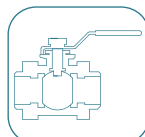
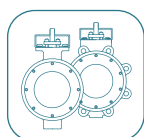
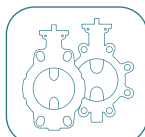
Introduction

This instruction manual contains important information regarding the installation, operation, maintenance and storage for Coreline position switch box. For errors resulting from improper installation, the manufacturer or Distributer can not be held responsible. Please read these instructions carefully and save them for future reference. Other information can be found in our latest product catalogue from our website - www.coreline.dk.

Requirements for the maintenance staff

The staff assigned to assembly, operating and maintenance tasks, should be qualified to carry out such jobs and in any circumstance, ensure personal safety.

www.coreline.dk



Introduction

Coreline Fig.561 (Fig.561 standard type and Fig.561M multi-function type) position switch box with position indicator provides open to close switch signaling and continuous visible rotational degree monitoring of quarter turn valves. The rugged and compact design is best suitable for small ball valve assemblies, or any place where space is limited.

The product also fully meets IP67 specification. Besides, our standard stainless steel bracket is designed in line with ISO5211 and NAMUR standard.



Specification

Model	Fig.561		Fig.561M	
	Standard	Option	Standard	Option
Weather proof	IP67			
Temperature range	-25℃~+85℃	-25~+125℃	-25℃~+85℃	-25~+125℃
Cable entry	2×1/2NPT	PT1/2, PF1/2, M20 PG13.5	2×1/2NPT	PT1/2, PF1/2, M20 PG13.5
Terminal strips	8		8	9~12
Position indicator	0~90°	0~180°	0~90°	0~180°
	Open-Yellow; Close-Red			
Mechanical switch	250VAC/5A; 30/48VDC/5A		0.3-0.6A 125VDC; 3-16A 125/250VAC	
Proximity sensor	DC 24V (5-60VDC), ≤150mA		DC 24V (5-60VDC), ≤150mA	
Feedback	N/A		4-20mA	
Material	Aluminum Die-casting (Black)			

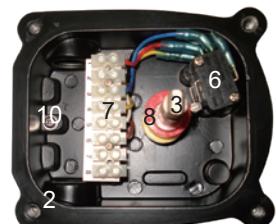
Main parts and material specification

No.	Part Name	Qty.	Material
1	Box cover	1	Aluminum Die-casting
2	Box body	1	Aluminum Die-casting
3	Shaft	1	SS
4	Indicator cover	1	Polycarbonate
5	Indicator	1	ABS / polycarbonate
6	Limit switch	1	Mechanical switch, proximity sensor
7	Terminal strip	8-12	Polycarbonate, tin plated brass, SS
8	Cam	2	Polycarbonate
9	Cover bolts	4	SS
10	Earth lug	1	SS

Fig.561



Fig.561M



Dimension - Position switch box

Fig.561

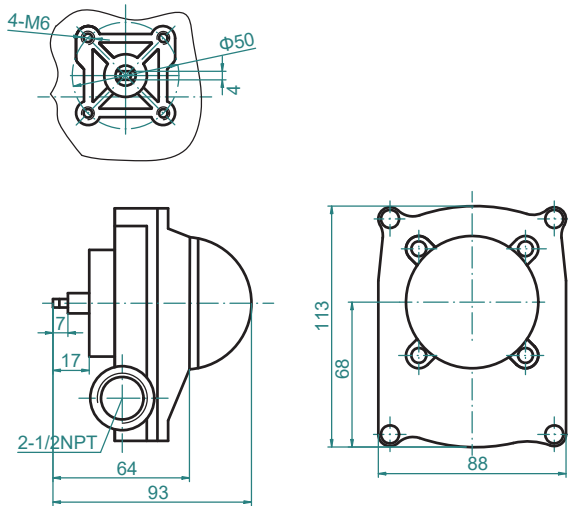
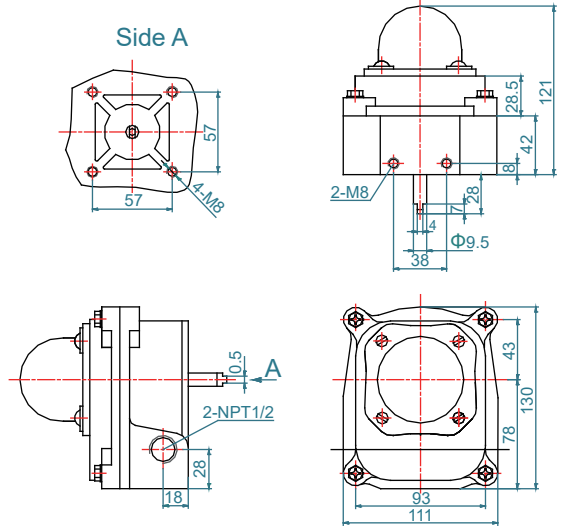
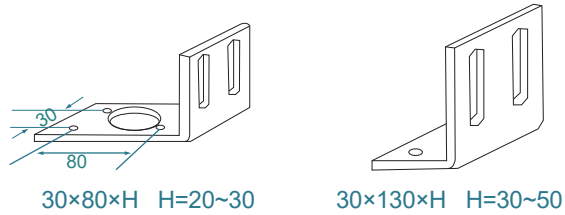


Fig.561M

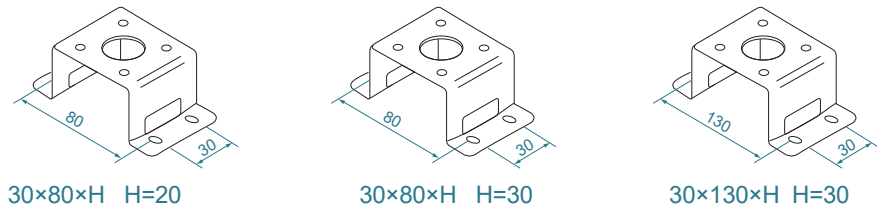


Dimension- Bracket

Adjustable bracket - Stainless steel

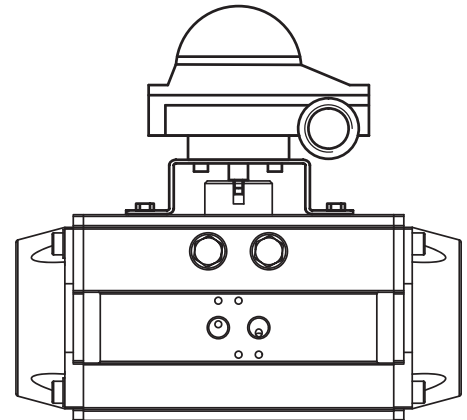


Fast bracket- Stainless steel



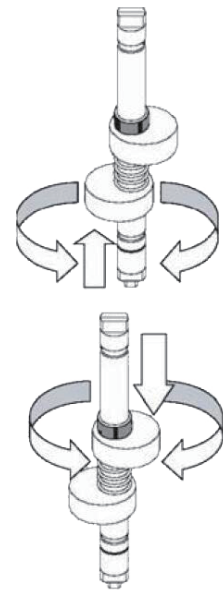
Installation

- Mount the proper NAMUR VDI/VDE standards bracket to the position switch box housing by using screws provided.
- Carefully place the position switch unit on top of the actuator, make sure the drive slot on the top of the actuator and the shaft of switch box are the same direction.
- Insert the NAMUR shaft of switch box carefully into the pinion top of the actuator.
- Tighten bracket on top of the actuator by using bolts provided and a proper tool.



Adjustment

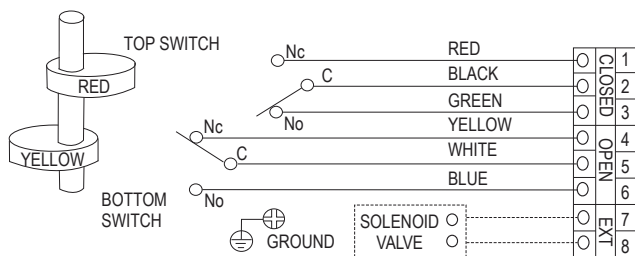
- Untighten the captive cover bolts with a proper tool (L - Hex. Wrench recommended) and remove the cover.
- **Open cam setting**
 - Electric power or air supply of valve actuator on to operate the actuator fully open
 - Lift up bottom cam and turn until switch is activated and then release. Engage cam back onto the splined retainer. Spring will maintain cam engagement.
- **Close cam setting**
 - Electric power or air supply of valve actuator off to operate the actuator fully close
 - Push down top cam and turn until switch is activated and then release. Engage cam back onto the splined retainer. Spring will maintain cam engagement.
- Place cover on position switch box and tighten the captive bolts with a proper tool (L - Hex. Wrench recommended). Make sure that the housing O-ring is properly located in the seal groove.



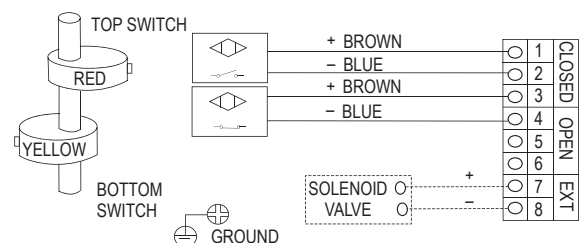
Electrical wiring

- Remove limit switch box cover
- Remove protection plugs from conduit entries and install conduit or plugs suitable for type of protection required.
- Engage wires in terminal strip using a small screwdriver.

2×SPDT Mechanical Switches Wiring



Proximity Sensor Wiring (2-wires)



*) Mechanical wirings 3-SPDT, 4-SPDT, 2-SPST, 2-SPST with feedback available on request.
Standard proximity sensor NBB3-V3-Z4. Other proximity sensors available on request.

Storage

- Ensure the position switch is completely dry and water free.
- Maintain the entrances of air passages by fitting the original or replacement plastic corks.
- Protect from dust, dirt and damage by packing in box or plastic bag.

Coreline

CORELINE VALVE CO., LTD.

The contents of this catalogue are confidential and proprietary to Coreline, we reserve the right to change the specifications without any notice.

Add: No.210 Xinyuan Road, Ehu Industrial Park, 214116 Wuxi, China

Phone: +86 510 8852 5336

Http: // www.coreline.dk

E-mail : mail@coreline.cn